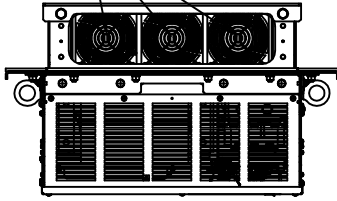
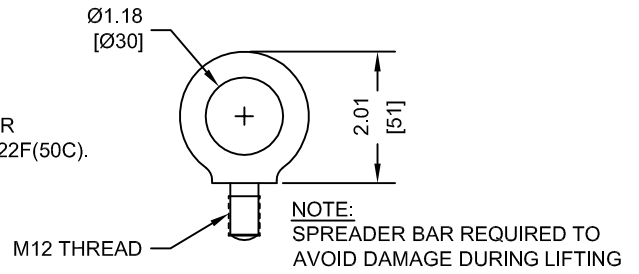


(3) EXTERNAL COOLING FANS

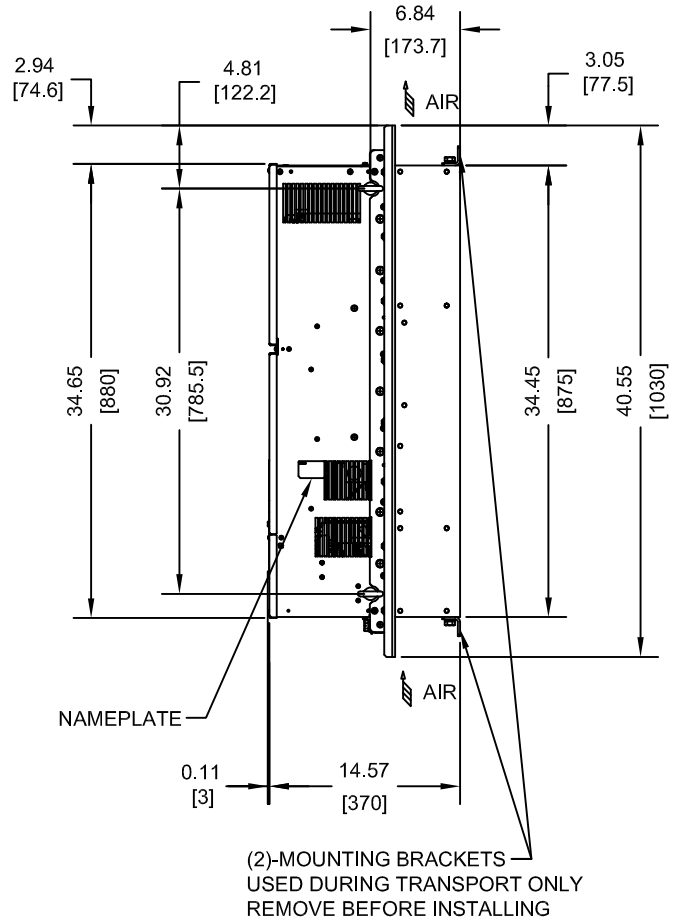
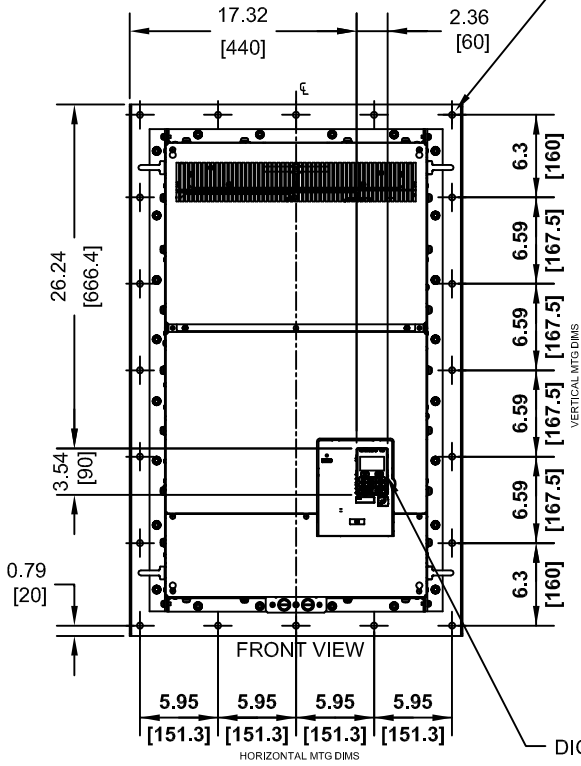


NOTE:
MAXIMUM SURROUNDING AIR
TEMPERATURE RATING IS 122F(50C).

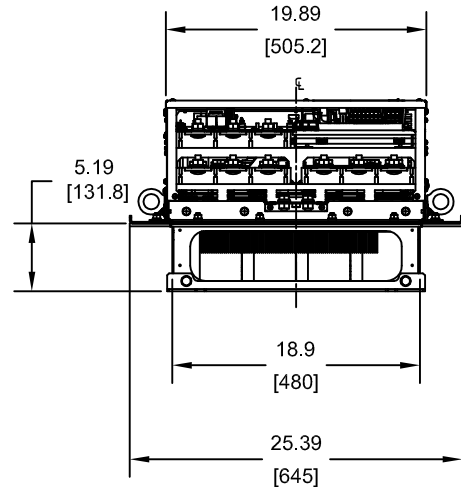
LIFTING AND EYEBOLT DETAILS



(20)-MOUNTING HOLES
FOR 3/8"[M10] SCREWS



(2)-MOUNTING BRACKETS
USED DURING TRANSPORT ONLY
REMOVE BEFORE INSTALLING



MODEL # CIMR-ZU	VOLTAGE THREE-PHASE (VAC)	OUTPUT CURRENT (A)	WEIGHT LBS (Kg)	HEAT LOSS (W) (Fc=2kHz)		
				INT	EXT	TOT
4A0414UXX	380/480	414	304 (138)	1295	3443	4738

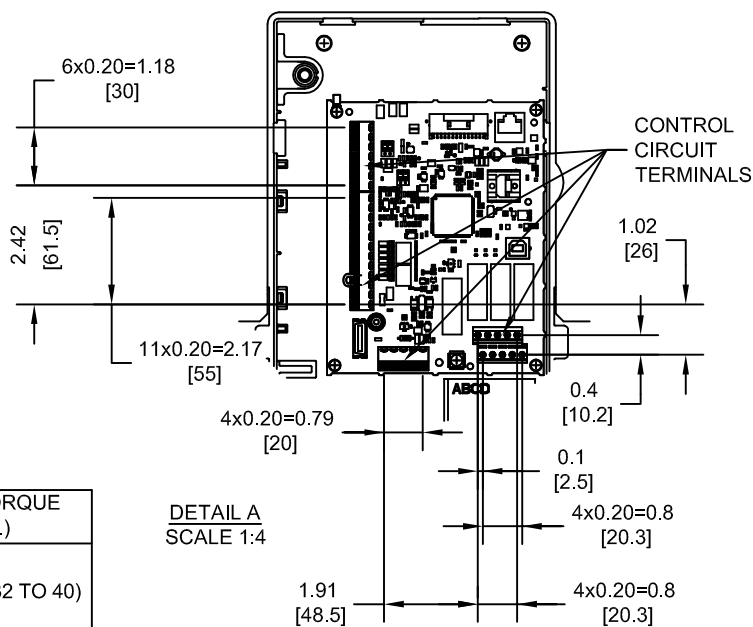
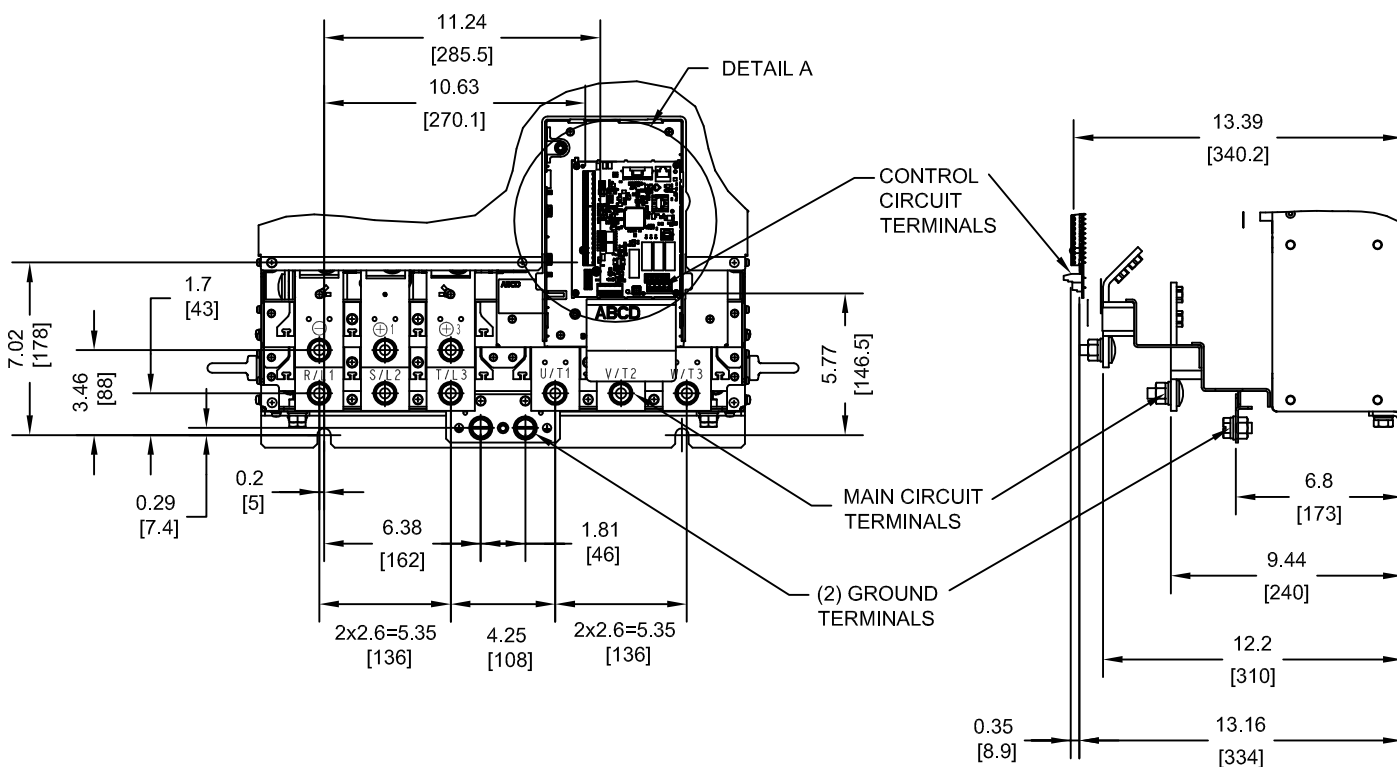
NOTE:
XX DENOTES AA-ZZ

INT=INTERNAL COMPONENTS
EXT=EXTERNAL HEATSINK
TOT=TOTAL

FOR ADDITIONAL DETAILS AND SPECIFICATIONS, CONSULT MANUAL

TOLERANCES / REFERENCES:		<p>THIS DOCUMENT AND INFORMATION CONTAINED IN IT ARE CONFIDENTIAL, AND CANNOT BE COPIED OR DISCLOSED IN WHOLE OR IN PART WITHOUT THE EXPRESS WRITTEN CONSENT OF YASKAWA AMERICA, INC.</p>	DRAWN: J. MATTAS DATE: 7-15-13	TITLE: Z1000 DIMENSION DRAWING FRAME SIZE 9 DESIGNED FOR IP54/TYPE 12 ENCLOSURE 4A0414U		
UNITS: IN [mm]			CHECKED: J. PIOTROWSKI DATE: 7-20-13	SIZE: A	REVISION: R00	PAGE: 1 of 3
SCALE: 1:15			TECH: J. BORJA DATE: 7-25-13	DATE: 8-5-13	DRAWING #: DD.Z1K.FR9.FLNG	
			APPROVED: J. CAIRO	ORIGINAL DESIGN: -		

TERMINAL AND WIRING DETAILS (SCALE 1:8)



TERMINAL AND WIRE SPECIFICATIONS FOR MAIN CIRCUIT AND GROUND

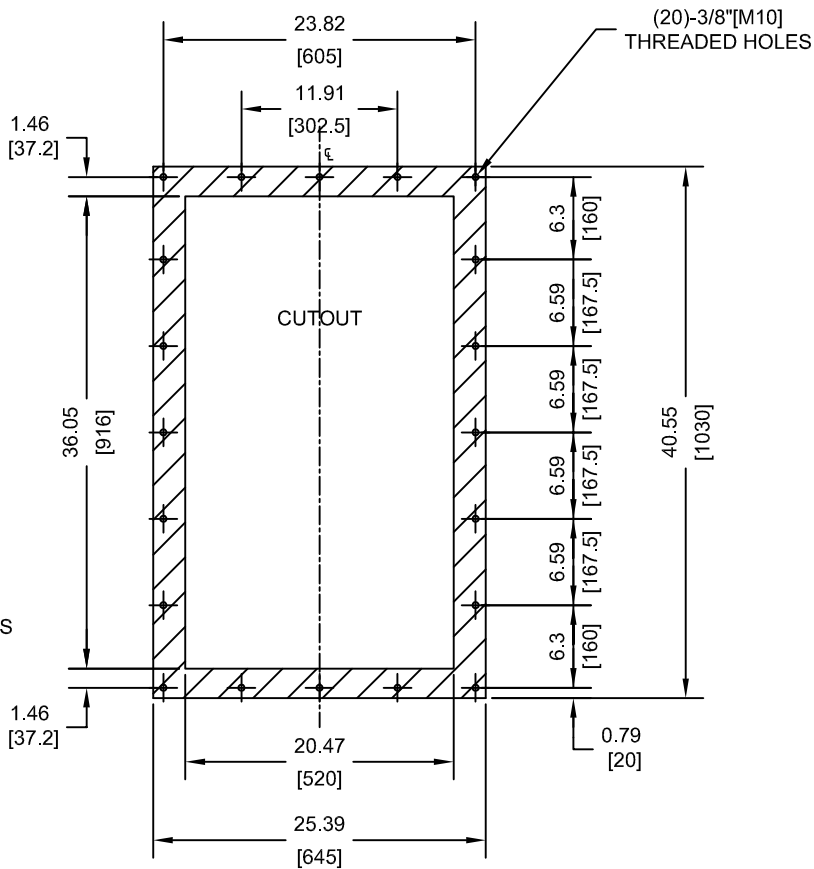
MODEL # CIMR-ZU	TERMINAL SYMBOL	TERMINAL SCREW	CLAMPING TORQUE lb.in.(N.m.)
4A0414U	R/L1, S/L2, T/L3	M12	283.2 TO 354.0 (32 TO 40)
	U/T1, V/T2, W/T3		
	⊖, ⊕1	M12	
	⊕3		
⊕	M12		

NOTE: REFER TO APPLICABLE CODES FOR PROPER WIRE TYPE AND SIZE

FOR ADDITIONAL DETAILS AND SPECIFICATIONS, CONSULT MANUAL

TOLERANCES / REFERENCES:			DRAWN: J. MATTAS	DATE 7-15-13	TITLE: Z1000 DIMENSION DRAWING FRAME SIZE 9 DESIGNED FOR IP54/TYPE 12 ENCLOSURE 4A0414U
UNITS: IN [mm] SCALE: BY VIEW			CHECKED: J. PIOTROWSKI	DATE 7-20-13	
THIS DOCUMENT AND INFORMATION CONTAINED IN IT ARE CONFIDENTIAL, AND CANNOT BE COPIED OR DISCLOSED IN WHOLE OR IN PART WITHOUT THE EXPRESS WRITTEN CONSENT OF YASKAWA AMERICA, INC.		TECH: J. BORJA	DATE 7-25-13	SIZE A	REVISION R00
		APPROVED: J. CAIRO	DATE 8-5-13	PAGE 2 of 3	
		ORIGINAL DESIGN: -	DATE -	DRAWING #: DD.Z1K.FR9.FLNG	


PANEL CUTOUT FOR EXTERNAL HEATSINK MOUNTING CONFIGURATION (SCALE 1:15)



NOTES:

1. CUTOUT TOLERANCES:
+/- 0.02IN (0.5MM)
2. EXPOSED HEATSINK DEPTH
D=5.19" MINUS PANEL THICKNESS
3. MIN. RECOMMENDED PANEL THICKNESS: 10 GA

FOR ADDITIONAL DETAILS AND SPECIFICATIONS, CONSULT MANUAL

TOLERANCES / REFERENCES:		 YASKAWA <small>THIS DOCUMENT AND INFORMATION CONTAINED IN IT ARE CONFIDENTIAL, AND CANNOT BE COPIED OR DISCLOSED IN WHOLE OR IN PART WITHOUT THE EXPRESS WRITTEN CONSENT OF YASKAWA AMERICA, INC.</small>	DRAWN: J. MATTAS	DATE: 7-15-13	TITLE: Z1000 DIMENSION DRAWING FRAME SIZE 9 DESIGNED FOR IP54/TYPE 12 ENCLOSURE 4A0414U	
			CHECKED: J. PIOTROWSKI	DATE: 7-20-13		
			TECH: J. BORJA	DATE: 7-25-13		
			APPROVED: J. CAIRO	DATE: 8-5-13		
UNITS: IN [mm]	SCALE: BY VIEW	ORIGINAL DESIGN: -	DATE: -	SIZE: A	REVISION: R00	PAGE: 3 of 3
				DRAWING #: DD.Z1K.FR9.FLNG		